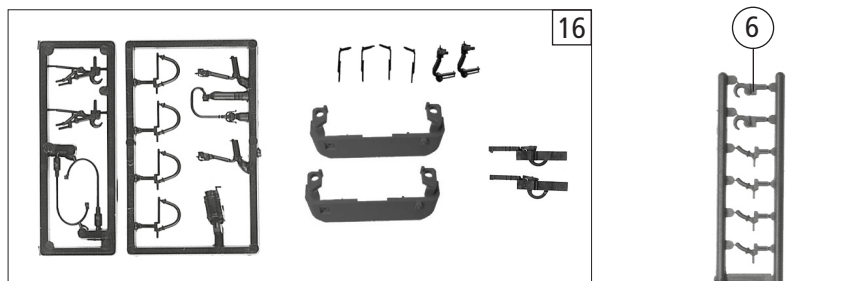
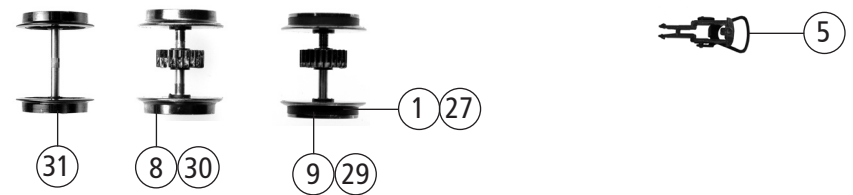
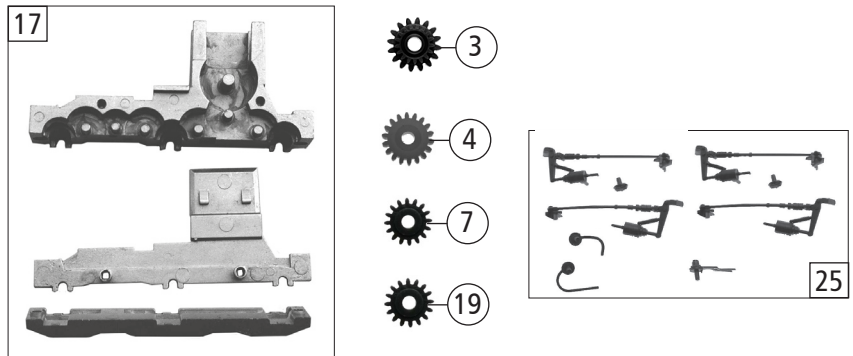
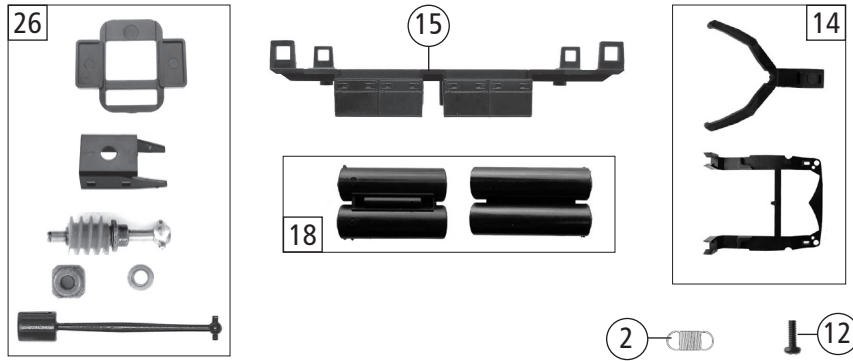


| Pos. Nr.<br>Pos.no. | Beschreibung<br>Description  | Art.-Nr.<br>Art.no. | Preisgruppe<br>Price bracket |
|---------------------|--|---------------------|------------------------------|
| 72973               | DSB MZ   | =                   |                              |
| 72974               |  | =                   | 🔊                            |
| 78974               |  | ~                   | 🔊                            |
| 1                   | Motor<br>Motor   | 85111               | 28                           |
| 2                   | Kardanschale kurz 1,5 mm<br>Cardan reception, short 1,5 mm           | 87129               | 4                            |
| 3                   | Platine kpl.<br>PCB ass.   | 127562              | 19                           |
| 4                   | Brückenstecker<br>Connector  | 100644              | 6                            |
| 5                   | Drahtlampe T3/4 16V 30mA<br>Bulb with leads T3/4 16V 30mA            | 108616              | 8                            |
| 6                   | Drahtlampe T3/4 16V rot<br>Bulb with leads T3/4 16V red              | 110479              | 8                            |
| 7                   | GF - Schraube M2x5<br>Self-tapping screw M2x5                        | 114966              | 3                            |
| 8                   | Grundrahmen<br>Basic frame   | 117602              | 12                           |
| 9                   | Heizschlauch<br>Heating hose   | 117608              | 3                            |
| 10                  | Lampen-Flexplatine<br>Flexible light pcb                             | 117609              | 14                           |
| 11                  | Gehäuse komplett Betr. Nr. Mz 1406<br>Body assembly Loco.no. Mz 1406 | 139917              | 31                           |
| 12                  | Linse oben<br>Upper lens   | 117623              | 3                            |
| 13                  | Linse unten<br>Lower lens  | 117624              | 3                            |
| 14                  | Windabweiser<br>Wind deflector                                       | 117625              | 3                            |
| 15                  | Stirnfenster links<br>Front window left                              | 117626              | 5                            |
| 16                  | Stirnfenster rechts<br>Front window right                            | 117627              | 5                            |
| 17                  | Leiter<br>Ladder   | 117628              | 3                            |
| 18                  | Puffer flach links<br>Buffer flat left                               | 117629              | 3                            |
| 19                  | Puffer flach rechts<br>Buffer flat right                             | 117630              | 3                            |
| 20                  | Scheibenwischer<br>Windscreen wiper                                  | 139918              |                              |
| 21                  | Scheinwerfer mit Signalhalter<br>Headlight with signal holder        | 121514              | 3                            |
| 22                  | Fensterstreifen links<br>Window stripes left                         | 117633              | 4                            |
| 23                  | Führerstand komplett<br>Driver's cab assembly                        | 117634              | 6                            |
| 24                  | Griffstangensatz<br>Handrail set                                     | 117636              | 6                            |
| 25                  | Fensterstreifen rechts<br>Window stripes right                       | 121511              | 6                            |
| 26                  | Kontaktfeder<br>Contact spring                                       | 116812              | 3                            |
| 27                  | TS-Gehäuse lackiert<br>Part set body painted                         | 121512              | 10                           |
| 28                  | Distanzplättchen<br>Spacer chip                                      | 106116              | 3                            |
| 29                  | Griffstange<br>Handrail  | 117635              | 4                            |
| <b>Sound</b>        |  |                     |                              |
| 30                  | Lautsprechergehäuse<br>Loudspeaker box                               | 121507              | 3                            |
| 31                  | Lautsprecher<br>Loudspeaker  | 129524              | 16                           |
| 32                  | Sounddecoder<br>Sound-decoder  | 129600              | 39                           |
| 33                  | Lautsprecher Haltebügel<br>Loudspeaker fixation                      | 131214              | 5                            |

Änderungen in Konstruktion und Ausführung vorbehalten  
We reserve the right to change the construction and specification



| Pos. Nr.<br>Pos.no.      | Beschreibung<br>Description   | Art.-Nr.<br>Art.no. | Preisgruppe<br>Price bracket |
|--------------------------|---|---------------------|------------------------------|
| 72973                    | DSB MZ  | =                   |                              |
| 72974                    |   | =                   | 🔊                            |
| 78974                    |   | ~                   | 🔊                            |
| 1                        | Hafringsatz 10 Stk. 10,3-12,8 mm<br>Set of traction tyres 10 pieces 10,3-12,8 mm    | 40069               | ---                          |
| 2                        | Zugfeder<br>Draw spring   | 86208               | 3                            |
| 3                        | Schneckenzahnrad doppelt Z=16/17<br>Worm gear wheel double Z=16/17                  | 86419               | 6                            |
| 4                        | Zahnrad Z=18 gerade M=0,4<br>Gear wheel Z=18 straight M=0,4                         | 86460               | 3                            |
| 5                        | Standardkupplung<br>Standard coupling   | 89246               | 6                            |
| 6                        | Attrappenrahmen klein<br>Small dummy frame  | 107808              | 4                            |
| 7                        | Zahnrad Z=14 M=0,4 mm<br>Gear wheel Z=14 M=0,4 mm                                   | 111115              | 3                            |
| 8                        | Radsatz ohne Hafring<br>Wheelset without traction tyre                              | 112462              | 11                           |
| 9                        | Radsatz mit 2 Hafringen<br>Wheelset with 2 traction tyres                           | 112463              | 12                           |
| 10                       | GF - Schraube M1,6x6 mm<br>Self-tapping screw M1,6x6 mm                             | 114836              | 3                            |
| 11                       | GF - Schraube M1,6x8 mm<br>Self-tapping screw M1,6x8 mm                             | 115026              | 3                            |
| 12                       | GF - Schraube M1,6x5 mm<br>Self-tapping screw M1,6x5 mm                             | 115269              | 3                            |
| 13                       | Schürze offen, Decoderhalter<br>Skirt with opening, decoder holder                  | 121515              | 6                            |
| 14                       | Kinematik und Deichsel<br>Kinematics and drawbar                                    | 117604              | 5                            |
| 15                       | Batteriekasten<br>Battery box   | 117605              | 5                            |
| 16                       | Zurüstbeutel<br>Bag with accessories  | 121510              | 11                           |
| 17                       | Getriebesatz 3-teilig lackiert<br>Gear set 3-parts painted                          | 117614              | 11                           |
| 18                       | Wassertank, Dieseltank<br>Water tank, diesel tank                                   | 121508              | 6                            |
| 19                       | Zahnrad Z=16<br>Gear wheel Z=16   | 117617              | 3                            |
| 20                       | Radkontaktbaugruppe<br>Wheel contact assy   | 117618              | 8                            |
| 21                       | Blende 1 kpl. vorne links<br>Bogie 1 ass. front left                                | 117619              | 8                            |
| 22                       | Blende 2 kpl. vorne rechts<br>Bogie 2 ass. front right                              | 117620              | 8                            |
| 23                       | Blende 3 kpl. hinten links<br>Bogie 3 ass. rear left                                | 117621              | 8                            |
| 24                       | Blende 4 kpl. hinten rechts<br>Bogie 4 ass. rear right                              | 117622              | 8                            |
| 25                       | Blendensteckteilesatz<br>Set of cover plug-in parts                                 | 117637              | 7                            |
| 26                       | Teilesatz Antrieb<br>Part set drive   | 200115              | 12                           |
| <b>AC - Wechselstrom</b> |   |                     |                              |
| 27                       | Hafringsatz 10 Stk. 10,3-12,4<br>Set with traction tyres 10 pieces 10,3-12,4        | 40074               | ---                          |
| 28                       | Schleifer<br>Center pick-up   | 86031               | 14                           |
| 29                       | Radsatz mit 2 Hafringen AC<br>Wheelset with 2 traction tyres AC                     | 112322              | 12                           |
| 30                       | Radsatz mit Zahnrad ohne Hafringen AC<br>Wheelset w.gear wheel w/o traction tyre AC | 112323              | 11                           |
| 31                       | Radsatz ohne Zahnrad AC<br>Wheelset w/o gear wheel AC                               | 112685              | 10                           |
| 32                       | Getriebeboden AC<br>Gear bottom AC  | 117607              | 3                            |